

Emergency response guide XD / XF Electric

DW63401101/EN Printed in the Netherlands



EMERGENCY RESPONSE GUIDE

DISCLAIMER

© 202501 DAF Trucks N.V., Eindhoven, The Netherlands.

In the interest of continuing product development, DAF reserves the right to change specifications or products at any time without prior notice.

No part of this publication may be reproduced and/or published by printing, by photocopying, on microfilm or in any way whatsoever without the prior consent in writing of DAF Trucks N.V.

1	Introduction.....	8
1.1	Introduction.....	8
2	Vehicle identification.....	10
2.1	Cabin type.....	10
3	Securing the vehicle.....	12
3.1	Securing the vehicle.....	12
3.1.1	Safety card XD/XF electric.....	12
3.1.2	Parking procedure.....	15
3.1.3	Operating the Main switch.....	17
3.1.4	Charging.....	18
3.1.5	Airbag safety instructions.....	20
4	Stabilising the vehicle.....	26
4.1	Stabilising the vehicle.....	26
4.1.1	Air suspension chassis.....	26
4.1.2	Cabin suspension.....	27
5	Releasing a trapped driver.....	30
5.1	Releasing a trapped driver.....	30
5.1.1	Cabin bracket collision ability.....	30
5.1.2	Cabin dimensions.....	30
5.1.3	Opening the front panel.....	32
5.1.4	DOORS.....	33
5.1.5	Kerb view door.....	33
5.1.6	Locking and unlocking the doors and night lock.....	34
5.1.7	Adjust the steering wheel.....	38
5.1.8	Suspended seat.....	39
5.1.9	Cinema and 3rd seat.....	41
5.1.10	Cabin structure.....	42
6	Towing information.....	50
6.1	Towing information.....	50
6.1.1	Removing the prop shaft.....	50
6.1.2	Releasing the parking brake.....	50
6.1.3	Tyre inflating connection.....	51
6.1.4	Towing.....	51
6.1.5	Jump-starting.....	54
7	Lifting information.....	58
7.1	Lifting information.....	58
7.1.1	Lifting at the front.....	58
7.1.2	Jack up at the front.....	58
7.1.3	Lifting at the back.....	58
7.1.4	Jack up at the back.....	58

Introduction	1
Vehicle identification	2
Securing the vehicle	3
Stabilising the vehicle	4
Releasing a trapped driver	5
Towing information	6
Lifting information	7
	8

1

1.1 INTRODUCTION

This manual has been created to assist the first responders in identifying and responding to vehicles equipped with a DAF Electric Drive line.

2.1 CABIN TYPE

2



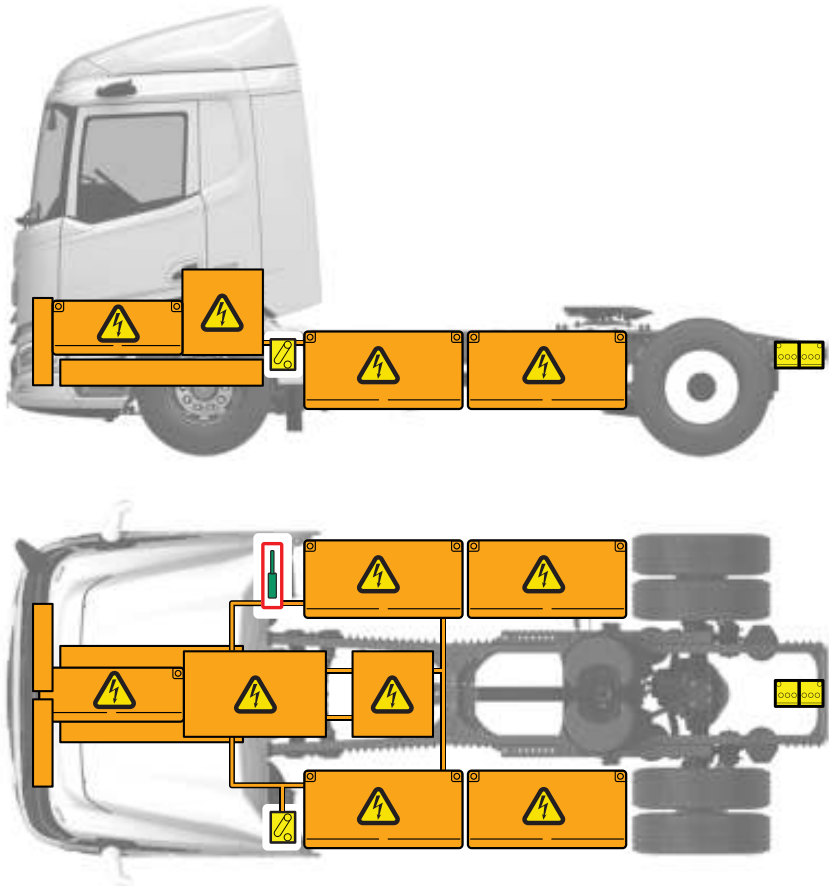
3.1 SECURING THE VEHICLE

3.1.1 Safety card XD/XF electric

3 Emergency procedure

Overview

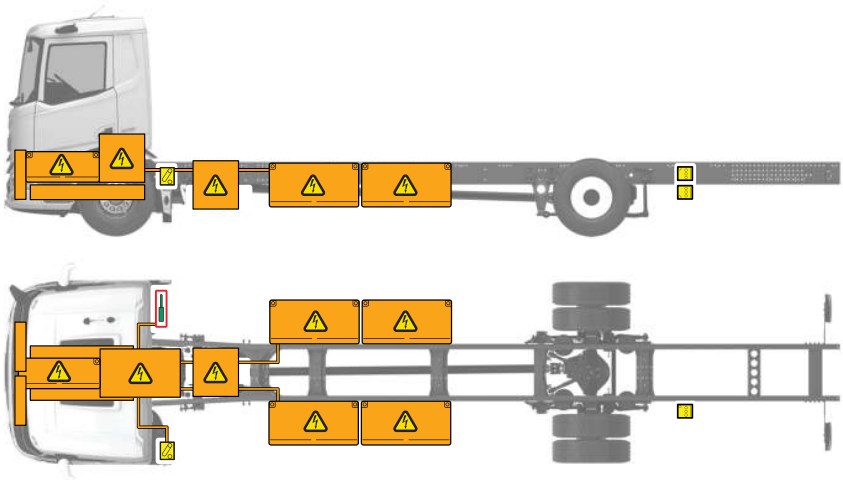
Chassis tractor (FT)



i452020-3

Figure 1

Chassis rigid (FA)



I452021-3


Figure 2



NOTE:

- Depicted is the Left Hand Drive truck (LHD) standard execution. The number of High-Voltage batteries depends on the vehicle configuration (minimum 2 and maximum 5). The High-Voltage battery under the cabin is always present, up to 4 are mounted on the chassis.
- If applicable: the main switch for the 24 V batteries is located on the left side.
- The cabin tilt pump is located on the co-drivers side.
- The location of the 24 V batteries depends on the body builder application.

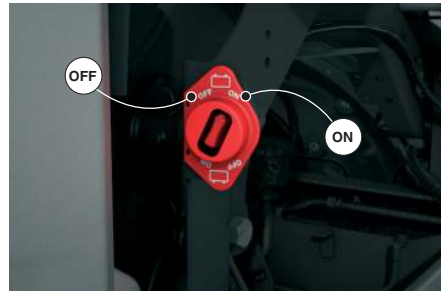
	High-Voltage cables (500-700 VDC or 400 VAC)		High-Voltage warning
	High-Voltage component		Cabin tilt pump
	High-Voltage batteries Battery type: Lithium batteries with LFP/LiFePO4 technology.		24 V batteries

	Main switch (figure 1) for the 24 V batteries		
---	---	--	--

3

Emergency procedure:

1. Park the vehicle in a safe place.
2. Apply the park brake.
3. Turn the drive mode switch to 'N' (neutral).
4. Remove the ignition key.
5. Exit the cabin.
6. Use the optional main switch (figure 1) to switch OFF the 24 V circuit.
7. Place the necessary and/or mandatory warnings and wait at a safe distance from the vehicle.



i452247

Figure 1: Main switch (optional)

General warnings



WARNING!

Damage to the High-Voltage battery pack may result in vehicle breakdown and/or engine power reduction. When hitting bumps, it is important to check the battery pack for damage. If necessary, contact the DAF Service dealer.



WARNING!

The High-Voltage batteries are always be energised even after switching off the ignition or main switch.



WARNING!

Read the warning instructions described in the driver's manual, see chapter 'Warnings and safety regulations'.

**WARNING!**

Never operate the main switch while driving.

Operating the main switch while driving switches off all electrical systems, including the steering pump, air compressor and the electric powertrain.

This can lead to dangerous situations and damage to the vehicle electronics and High-Voltage system.

**NOTE:**

For towing the vehicle, see the corresponding chapter in the driver's manual or the 'Emergency Response Guide'.

3.1.2 Parking procedure

**WARNING!**

Not applying the park brake after parking the vehicle, can cause the vehicle to move unintentionally. This can lead to serious injury and damage to the vehicle.

- *Always apply the park brake after parking the vehicle.*

**WARNING!**

If the park brake is released while the steering lock is still engaged, the vehicle can cause problems with steering. This can lead to serious injury and damage to the vehicle.

- *Do not release the park brake while the steering lock is still engaged.*

**WARNING!**

Leaving the vehicle with the driveline engaged, for any reason whatsoever, can result in the vehicle moving off without a driver. This can lead to very dangerous situations resulting in serious injury and can damage the vehicle.

- *Never leave the vehicle when the driveline is engaged.*
- *Always set the gearbox selector switch to N (neutral) before leaving the vehicle.*
- *Always apply the park brake before leaving the vehicle.*

**WARNING!**

When the ignition is switched off, the driveline automatically shifts to neutral. If the service brake or park brake is not engaged, the vehicle can move unintentionally. This can lead to serious injury and damage to the vehicle.

- **Always apply the service brake or park brake when the ignition is switched OFF.**



CAUTION:

To preserve the High-Voltage batteries, do not park the truck:

- **in direct sunlight at high temperatures;**
- **in places where the ambient temperature is lower than -35°C.**



NOTE:

If the vehicles are equipped with an Electronic Park Brake system (EPB); See the section 'Brakes electronically operated' in the chapter 'Starting and driving'.

Follow the next steps when parking:

- Angle the front wheels so that the vehicle does not move into the traffic stream if it is accidentally set in motion.
- Set the drive mode switch to N (neutral)
See section 'Right-hand steering column switch' in chapter 'Controls'.
- Apply the park brake.
See section 'Brakes electronically operated (Electronic Park Brake)' in chapter 'Starting and driving'.
- Test the trailer brakes.
See section 'Brakes electronically operated (Electronic Park Brake)' in chapter 'Starting and driving'.
- Switch off the driveline by turning the ignition key to 0 (rest position).
- Stow-away the steering wheel.
See section 'Adjust the steering wheel' in chapter 'Cabin'.
- Lower the seat using the quick down button.
See section 'Suspended seat' in chapter 'Seats and safety belts'.
- When necessary, put wheel chocks in front of and behind the wheels of the driven axle.

Ignition switch

- O Rest position
- A Accessories position
- D Drive position
- S Start position



D005358-2

3.1.3 Operating the Main switch



WARNING!

Operating the main switch while driving switches off all electrical systems. This can lead to very dangerous situations and damage to the electronics of the vehicle.

- *Never operate the main switch while driving.*
- *Never operate the main switch when the ignition is on.*



CAUTION:

- *First switch off the ignition and wait 80 s before switching off the main switch. This is to allow the after-running of various electrical systems.*
- *Never use the main switch as an ignition switch.*
- *Use the main switch when the vehicle is parked and left unattended.*

Electronic main switch

The electronic main switch also has a switch (1) on the centre console in the cabin.

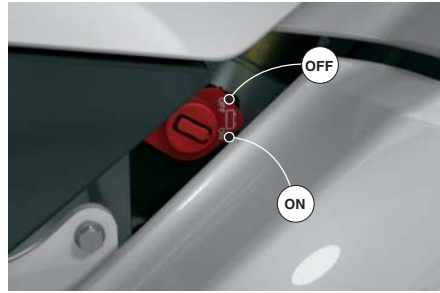
The electronic main switch does not switch off at once when the control switch is operated. This happens with a 10-second delay.



D005516

The control switch of the electronic main switch is usually (but not always) located close to the battery pack.

3



D005515-2

3.1.4 Charging

Introduction

The High-Voltage batteries must be charged if the State of Charge is too low for the next drive, indicated by a system warning or the reading on the State of Charge gauge at the Digital Display.

The High-Voltage batteries of the Battery Electric Vehicle are charged using a standard, compatible and PACCAR approved High-Voltage AC or DC charging station, see the 'Electrical system' section in the chapter 'Technical data'. The charge port is located on the driver side behind the cabin.



NOTE:

The charge cable length must not exceed 30 metres.

Charge procedure



WARNING!

During charging, high current flows through the charge cable. Disconnecting the charge cable without following the correct procedure can result in damage to the High-Voltage system and severe personal injury or death.



CAUTION:

During the charge process, do not drive the vehicle or remove the charge plug.

Before you start charging, make sure that the park brake is applied.

Do not touch the pins of the charge port and the charge plug.



Charging information

This telltale provides the vehicle charging information.

3

- A: LED 1 white blinking
Initialising and scheduled charging
- B: LED 2 green blinking
Initialising
- C: LED 2 green light continuously on
Charging
- D: LED 1 and 2 not active
Charging finished
- E: LED 2 red blinking
Charging error
- F: LED 1 white light continuously on
Scheduled charging

	LED 1	LED 2
A		
B		
C		
D		
E		
F		

i456588

1. Check the Electric Vehicle charging label beside the charging socket, to make sure that the charger is compatible with the vehicle (see chapter 'EV charging labels').
2. Open the cover (1) of the charge port.
3. Check if the charge port is clean and not damaged.
4. Check if the charge plug from the charging station is clean and not damaged.
5. Plug the charge plug into the charge port.
6. The charge plug will be locked to the vehicle and the charging station will initialise the charge session.
7. If initialising is successful, the charging process starts. The remaining charging time can be seen on the Digital Display. If initialising is not successful, remove the charge plug, perform a key cycle and repeat from step 5.

1 Charge port cover

3



i451986



i452200

3.1.5 Airbag safety instructions

Vehicles equipped with an airbag and safety belt tensioner system have a sticker with the airbag symbol on the windscreen. In addition, there is an identification 'AIRBAG' visible on the steering wheel. A vehicle equipped with an airbag also has an automatic safety belt tensioner.



WARNING!

- ***Do not use equipment or objects using strong electromagnetic radiation in the vicinity of airbag and safety belt tensioner systems.***

Such equipment or objects may cause this system to fail. In extreme cases, they may cause the system to be activated and can result in dangerous situations and injury.

Inspections

- The airbag and safety belt tensioner system only function correctly if:
 - After switching on the ignition, the airbag warning symbol appears on the Digital Display and disappears after approximately 5 to 10 seconds.
- The system does not function correctly if:
 - After the ignition is switched on, no airbag warning symbol appears on the

Digital Display.

- After the ignition is switched on, the airbag warning symbol on the Digital Display changes into an airbag warning after approximately 10 seconds.
- The airbag warning appears on the Digital Display when driving.
- If the system detects a fault, it is unable to activate the airbag and/or safety belt tensioners and there is no extra protection in the event of a collision. Have the fault remedied by an approved DAF Service dealer as soon as possible.

Maintenance

- Clean the airbag cover with a dry or damp cloth only. If it is heavily fouled, ask a DAF Service dealer for a DAF approved cleaning agent.
- After a maximum of 15 years the main components of the airbag and safety belt tensioner system including the electronic control unit must be replaced by a DAF Service dealer.



WARNING!

- ***Do not stick anything to the airbag cover.***
- ***Do not treat the cover with a cleaning agent, solvent, grease, paint, lacquer or other substance.***

Applying objects to the airbag cover can damage the cover. This can lead to uncontrolled fragmenting of the cover during deployment of the airbag and can cause unnecessary injury.

Operation

- The airbag and safety belt tensioners are activated in the event of a (near) head-on collision when a specific vehicle deceleration is exceeded. The airbag and safety belt tensioners are not be activated when:
 - The ignition is switched off.
 - The vehicle is involved in a minor head-on collision.
 - The vehicle is involved in a lateral collision.
 - The vehicle is involved in a tail collision.
 - The vehicle overturns.
- The system only provides optimal protection when the safety belt is correctly worn and the seat, safety belt and steering wheel are well adjusted to the driver.



WARNING!

- ***Do not rest any body part (torso, hand, head, foot) close to the airbag cover.***
- ***Hold the steering wheel by the outer rim as much as possible to allow unimpeded deployment of the airbag.***
- ***Keep the space between the driver and airbag free.***
- ***Nothing must be placed between the driver and the airbag, that is, no animals, no objects and no other persons.***

Keeping body parts or other objects unnecessarily close to the airbag cover can cause unnecessary injuries in case the airbag is activated.

Activation

3

- If the airbag is activated in a collision, a white powder is released. This is in no way an indication of fire. The powder itself is not harmful.
- The airbag and safety belt tensioners can be activated only once. After activation of the system, have the parts replaced by a DAF Service dealer to provide the same protection.
- In the event of a minor collision not causing the airbag and safety belt tensioner system to be activated, it is still recommended to have the system checked by a DAF Service dealer.



NOTE:

The airbag fabric can cause slight injury because of the rapid movement of the airbag during activation. People wearing spectacles and persons smoking when driving run an increased risk of facial injury in a collision involving deployment of the airbag. Usually the injuries are by no means as serious as the injuries that may occur in a collision without airbag and safety belt tensioners.



WARNING!

- ***Do not touch any parts of the airbag/safety belt tensioner systems after deployment. After deployment the parts of the airbag/safety belt tensioner systems may be hot. Touching these parts can cause burns or serious injury.***

Work

- Observe the DAF safety precautions when repairing, removing or replacing the airbag or safety belt tensioner system or parts thereof. For this reason, have this work carried out by an approved DAF Service dealer or DAF workshop only.
- Do not make any modifications to the airbag and safety belt tensioner system or parts thereof. This would cause an injury hazard and correct activation can then no longer be guaranteed.
- Observe the DAF safety precautions regarding the airbag and safety belt tensioner system when the vehicle is scrapped or dismantled.
- Retrofitting of accessories is only permitted if the accessories are approved by DAF for vehicles with an airbag and safety belt tensioner. Installation must take place at the position indicated by DAF and according to the procedure specified by DAF.
- When replacing the windscreen, observe a longer drying time for the windscreen sealant. This longer drying time is usually stated on the windscreen sealant packing or tube. If in doubt, contact DAF or the windscreen sealant supplier.
- If any welding is required, observe DAF's safety precautions for welding jobs.

Sales

- If the ownership of the vehicle is transferred, the previous owner must make the new owner aware of the above instructions.

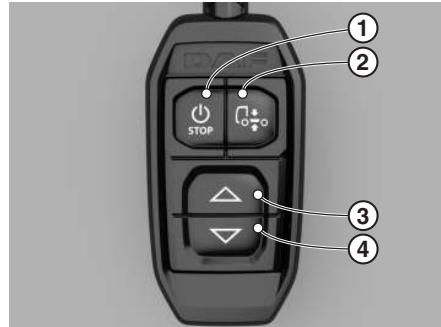
4.1 STABILISING THE VEHICLE

4.1.1 Air suspension chassis

Basic remote control

4

- 1 'ON/OFF' and 'STOP' key.
- 2 Automatic setting of normal driving height.
- 3 Lifting of chassis while the key is pressed.
- 4 Lowering of chassis while the key is pressed.



D005150



NOTE:

The remote control is (de-) activated by a long press on the 'STOP' key. After the ignition is switched off, the remote control is always deactivated.

The stop function is always active regardless of the remote control being activated or not.

Extended remote control

- 1 Front axle of truck selected.
- 2 Rear axle of truck selected.
- 3 Truck trailing axle selected.
- 4 LED's indicating that the corresponding function is activated.
- 5 Front axle of trailer selected
- 6 Rear axle of trailer selected.
- 7 Trailer trailing axle selected.
- 8 'STOP' key.
- 9, 10, 12 and 13 Lifting the chassis to a pre-set height.
- 11 Automatic setting of normal driving height.



D005113-2

- 14 Lifting (top part) or lowering (bottom part) the selected axles when the key is pressed.

**NOTE:**

If one of the keys 1 till 6 is operated, a green indicator light comes on above the key operated.

**NOTE:**

If both front and rear axle are equipped with air suspension, it is not possible to select for example maximum height on the front axle together with minimum height on the rear axle.

4

4.1.2 Cabin suspension

The cabin can be equipped with full air suspension (depending on vehicle configuration).

Lowering the air suspension

The cabin is lowered by cutting the air hoses.

**WARNING!**

When air hoses are cut, the hose ends can fly around and can therefore cause injuries.

**WARNING!**

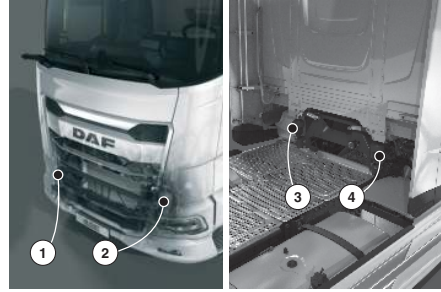
When the air hoses for the cabin suspension are cut, the air supply for steering wheel adjustment is also taken away.

**WARNING!**

When the cabin is lowered, the movement may be uncontrolled.

Front and rear cabin air suspension

4



D005556-2

Cut the air hose to the rear cabin air suspension bellows. See the arrows at positions 1 and 2 (front), 3 and 4 (rear).

Front cabin air suspension

Cut the air hose to the front air suspension bellows at the reservoir. The air reservoir can be found under the cabin at the co-driver side.

5.1 RELEASING A TRAPPED DRIVER

5.1.1 Cabin bracket collision ability

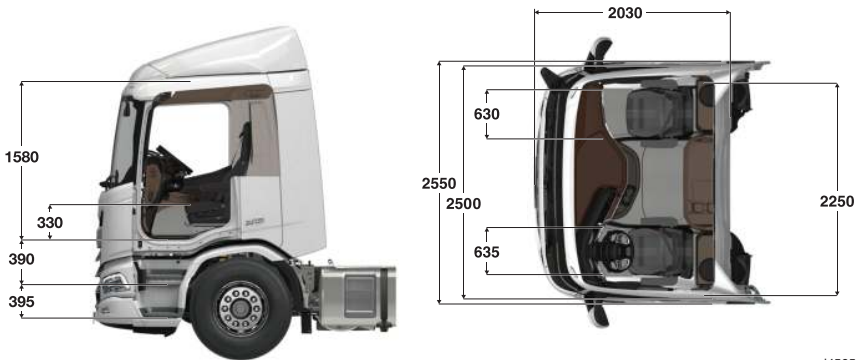
The cabin bracket has a built-in safety feature that enables the cabin to move back 400 mm in case of a collision. Depending on the severity of the collision there are two situations.

5

- The safety feature is used. This means that the cabin has moved compared to the chassis with a maximum distance of 400 mm. The cabin is still attached to the chassis.
- The safety feature is used fully before the collision stopped. As a result the bolt of the cabin bracket breaks. If this has happened the cabin is loose from the chassis.

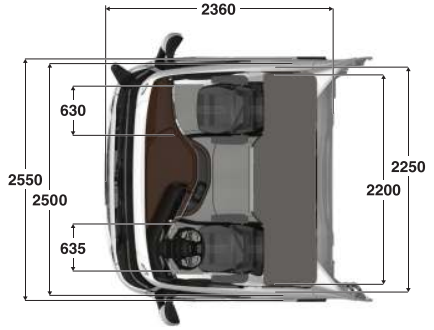
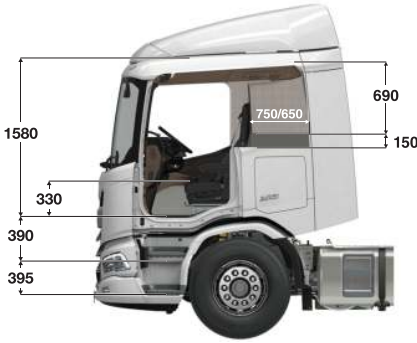
5.1.2 Cabin dimensions

The external dimensions (in millimetres) from the ground vary depending on the tyre size, choice of suspension, load and settings.



i456546

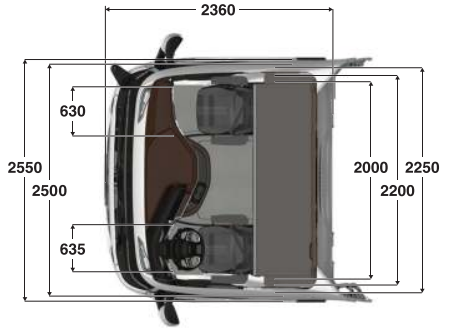
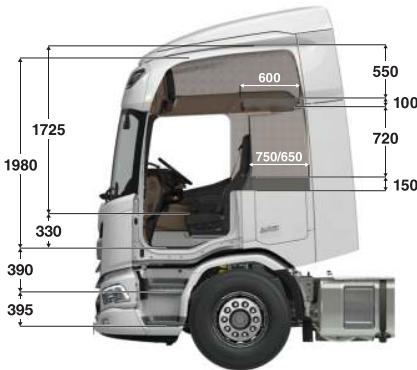
XD Day Cabin



5

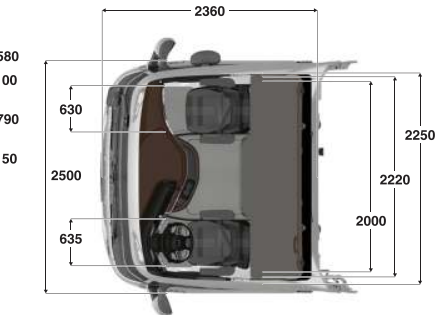
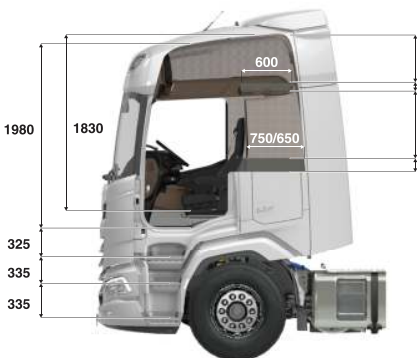
i456547

XD Sleeper Cabin



i456548

XD Sleeper High Cabin



D00557-2

XF Sleeper High Cabin

5.1.3 Opening the front panel

The top section of the front panel can be folded up.

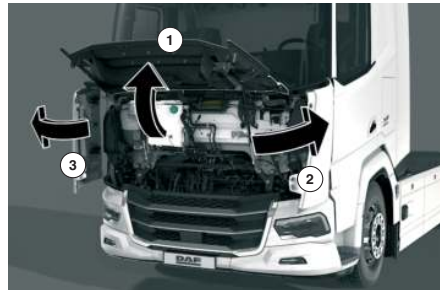
Open the door.
Unlock the front panel by pulling the lever in the step well.

5



D005374-2

When the front panel (1) is open, it is held in the raised position by two gas struts. Also the corner pieces (2) and (3) can be folded side ways.



D005375-2

5.1.4 DOORS

- 1 Hinge
- 2 Wiring harness
- 3 Door check



D005558-2

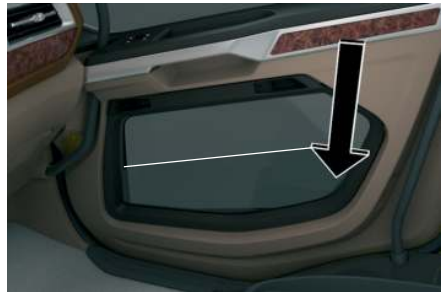
5

5.1.5 Kerb view door

Introduction

- Kerb view door is an option and is applicable on the kerb side of the vehicle.

- 1 Maximum opening of the side window



D005345

Removing the inner window of the kerb view door



WARNING!

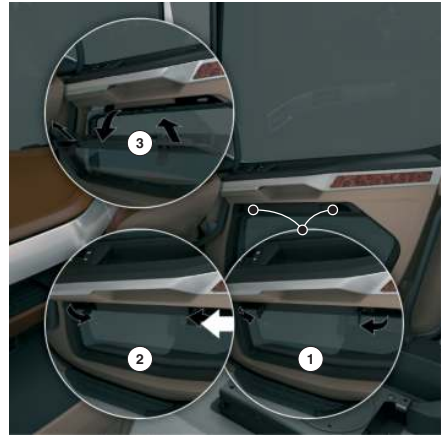
To prevent injury when the inner window is removed:

- **Make sure that the window cannot be operated when the inner window is not mounted.**
- **Express up functionality is applicable.**
- **Express down functionality is not applicable.**
- **Do not touch or remove any inner parts of the kerb view door.**

To be able to clean the windows on the inside, the inner window can be removed.

Releasing a trapped driver

- 1 Lock and unlock handle
- 2 release unlock handle
- 3 Remove the window



D005342-2

5

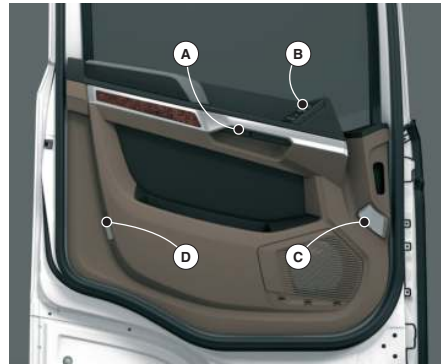


NOTE:

At the 'bottom' window frame is hooked in, at the 'top' there are 2 levers for (un-) locking.

5.1.6 Locking and unlocking the doors and night lock

- A Door handle
- B Door control panel for windows, locking, mirrors/camera's and mirror/camera heating
- C Door light
- D Red door marker light



D005355-2



NOTE:

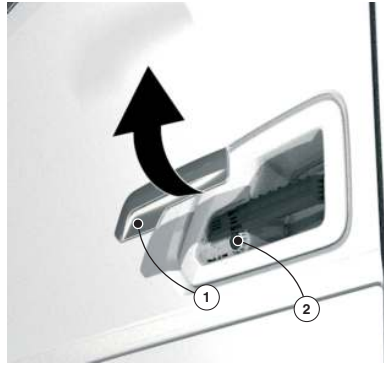
Unlock and opening the door; use handle (A).

Locking and unlocking the doors

Locking and unlocking driver's door using the ignition key

When necessary: use the ignition key for locking and unlocking (remove the cover). Using the key to unlock the driver's door, only unlocks the driver's door.

- 1 Cover
- 2 Lock and unlock by ignition key

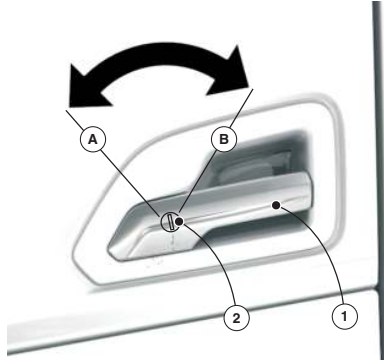


5

D005381-2

ADR or SLP: locking and unlocking using the ignition key

- 1 Door handle to open
- 2 Lock and unlock by ignition key
- A Position locked
- B Position unlocked



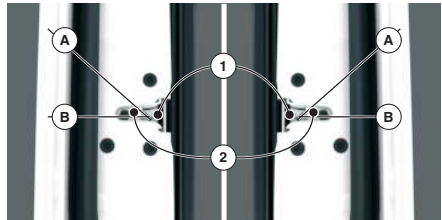
D005394-2

Locking the co-driver door using the ignition key

Both doors are equipped with a redundant locking mechanism. Using the ignition key to lock the doors.

Lock and unlock (right side)

- 1 Locking key insert (two positions)
- 2 Door locking mechanism
- A Position unlocked
- B Position locked



D005399-2

How to lock the door(s) manually:

- Open the door.

Releasing a trapped driver

- Locate the key insert (1).
- Lock the door by turning in direction (B) with the ignition key.
- Close the door.



NOTE:

The door(s) will be unlocked by using the central door locking system or by the ignition key (No ADR: behind the cover).

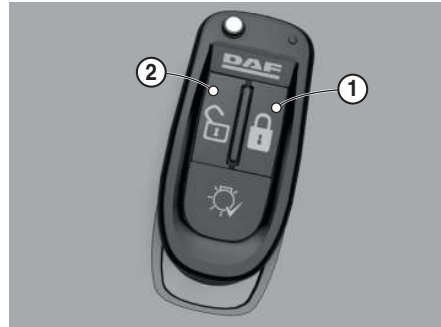
5



NOTE:

Using the ignition key and remote control for the same procedure to lock and unlock the driver's door from the outside.

- 1 Door locking
- 2 Door unlocking



D001668

Unlocking the doors using the buttons on the remote control

Pressing button (2) unlocks the driver's door and switches the delayed interior lights on.

If the unlock button is pressed a second time within three seconds after unlocking the driver's door, the co-driver's door will be unlocked.



NOTE:

- *If no door is opened within 30 seconds after unlocking, the doors automatically re-lock.*
- *The alarm system is now switching to the alarm mode: not detecting.*

Locking the doors using the buttons on the remote control

Pressing button (1) locks the driver's door and switches the delayed interior lights off.

Locking and unlocking the doors from the inside using the door control panel driver's door

Use switch (9) to lock both doors and use switch (8) to unlock the co-driver's door.

Locking and unlocking the doors from the inside using the door control panel co-driver's door

Use switch (2) to lock both doors.



NOTE:

If the cabin main switch is used, there is a possibility that the vehicle power supply is switched off during the process of locking the doors. The door mechanism is then stuck in the middle position which prevents the door to be opened using the key.



NOTE:

In addition the ignition key can be used to perform a manual exterior lighting check. See section 'Exterior lights' in chapter 'Maintenance and service'.

DAF night lock

The DAF night lock is available as a Parts option and can be obtained and installed via your DAF Service dealer. The DAF night lock will make the truck better secured during over night stay.



CAUTION:

- *Apply the DAF night lock only when the doors are at closed position and fully locked.*
- *Never drive the vehicle with the DAF night lock in locked position.*

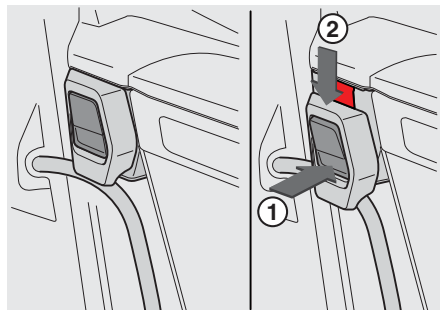
A safety hammer next to the driver's seat is included with the DAF night lock.



WARNING!

- *The Life hammer does only proper function in combination with toughened (safety) glass, the type of glass can be recognised by the trademark on the window.*
- *The Life hammer does NOT function in combination with laminated (layered) glass, the type of glass can be recognised by the trademark on the window.*

- 1 Unlock button
- 2 Handle



D005522

Locking the DAF night lock

By one hand sliding the handle (2) downwards. A red indicator at the top of the DAF night lock will indicate the door is securely locked.

Unlocking the DAF night lock

By pressing the unlock button (1) while the handle (2) is moved upwards.

5.1.7 Adjust the steering wheel

5

Unlock and adjust the steering column

- 1 Release pedal



D005346-2

Press the pedal (1) to unlock the steering column. The height and angle of the steering wheel can now be adjusted.

Release the pedal (1) to lock the steering column.



WARNING!

Only adjust the steering column while the vehicle is stationary.

Adjusting the adjustable steering column during driving can cause unintentional steering movements and can cause injuries.



NOTE:

The locking system operates pneumatically. When the pedal is operated, a light hissing noise is audible.

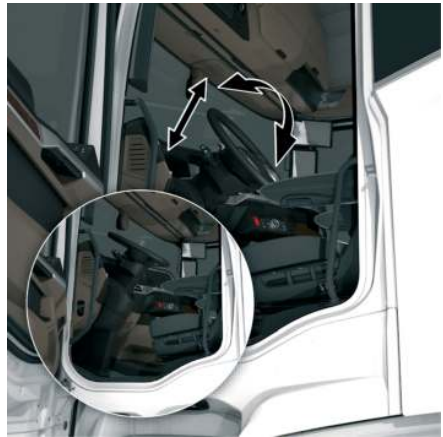
Stow-away the steering wheel

Adjust the steering wheel to the most forward position.



5

The purpose is to create more space when leaving or entering the cabin.



WARNING!

It is not allowed to drive the vehicle with the steering wheel in the stow-away position.

5.1.8 Suspended seat



NOTE:

Before removing the seat, be aware of the safety instructions if the vehicle is equipped with an airbag and therefore an automatic safety belt tensioner.



NOTE:

The seat can be adjusted if the vehicle air pressure is at least 7 bar.

Seat settings

5



D005442

- 1 Backrest angle adjustment
- 2 Seat height adjustment
- 3 Seat tilt adjustment
- 4 Quick down
- 5 Vertical seat damper
- 6 Seat length adjustment
- 7 Seat cushion length adjustment
- 8 Armrest

- 9 Safety belt height adjustment
- 10 Seat heater
- 11 Lumbar support adjustment
- 12 Lateral support adjustment
- 13 Seat ventilation
- 14 Shoulder support adjustment



4. Quick down

Knob down (seat in driving position): the seat drops to its lowest position.

Knob up (with lowered seat): the seat rises to the last height adjustment.



3. Seat tilt adjustment



2. Seat height adjustment

5

5.1.9 Cinema and 3rd seat

Controls and adjustments

- 1 Headrest adjustment
- 2 Foldable seat cushion
- 3 Backrest adjustment
- 4 Safety belt buckle
- 5 Safety belt buckle
- 6 Foldable armrests

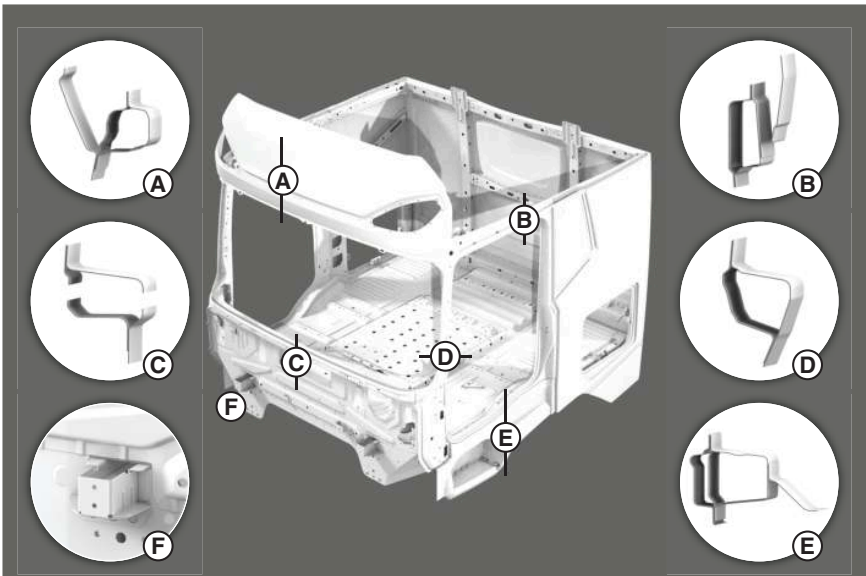
5



D005391-3

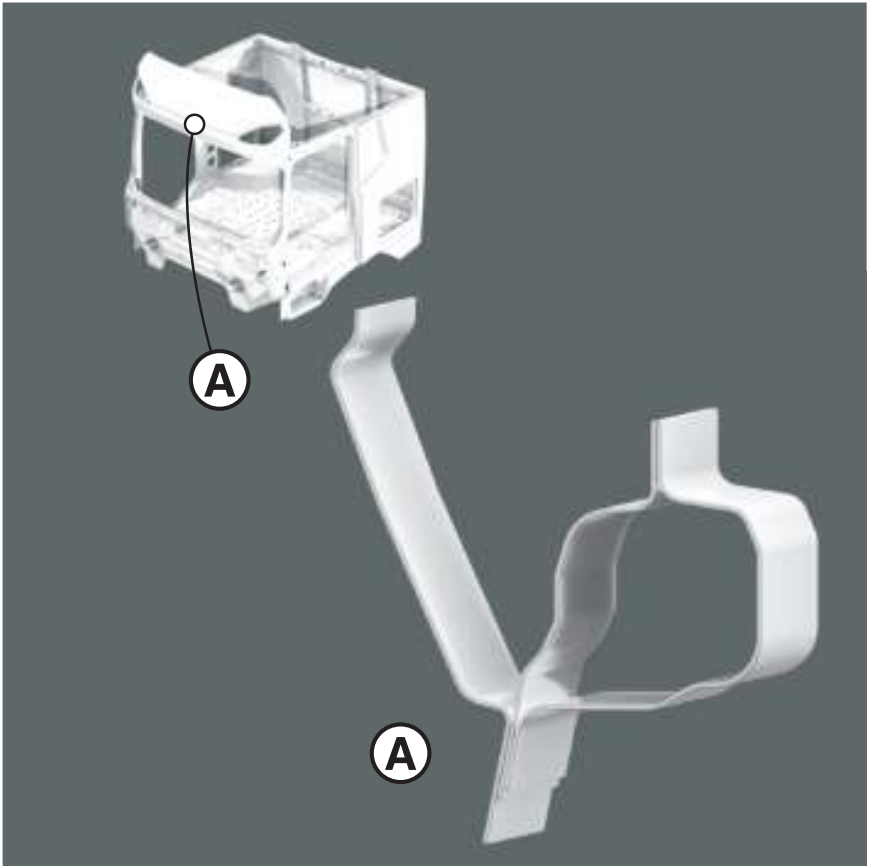
5.1.10 Cabin structure

Overview detail A - E



D005559-2

Cabin structure; detail A

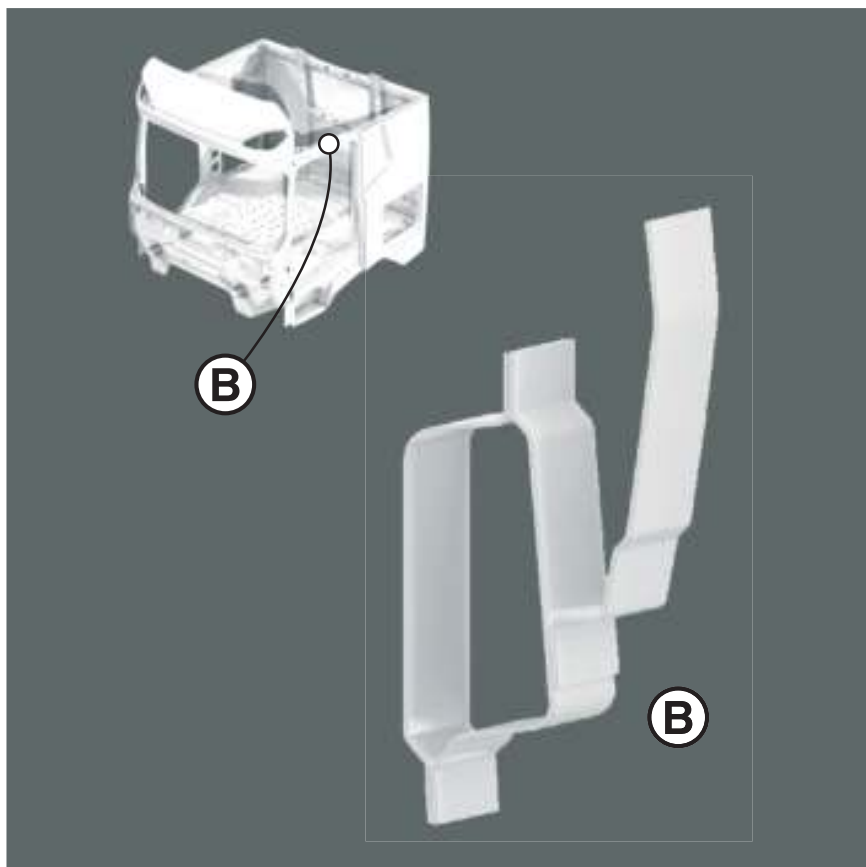


5

D005569-2

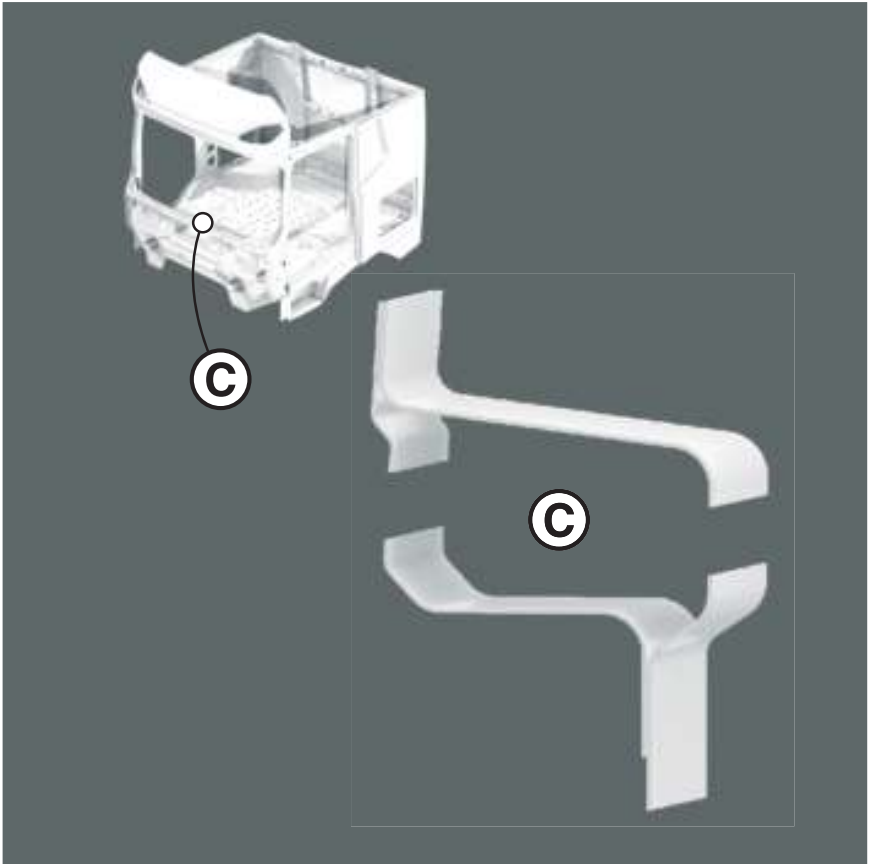
Cabin structure; detail B

5



D005570-2

Cabin structure; detail C

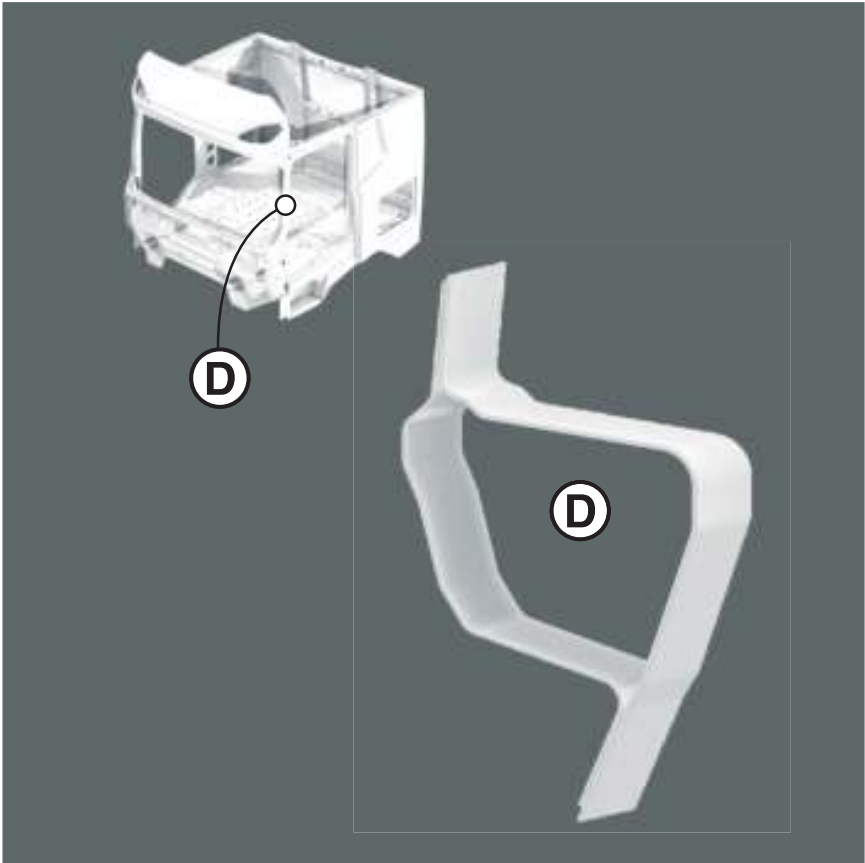


5

D005571-2

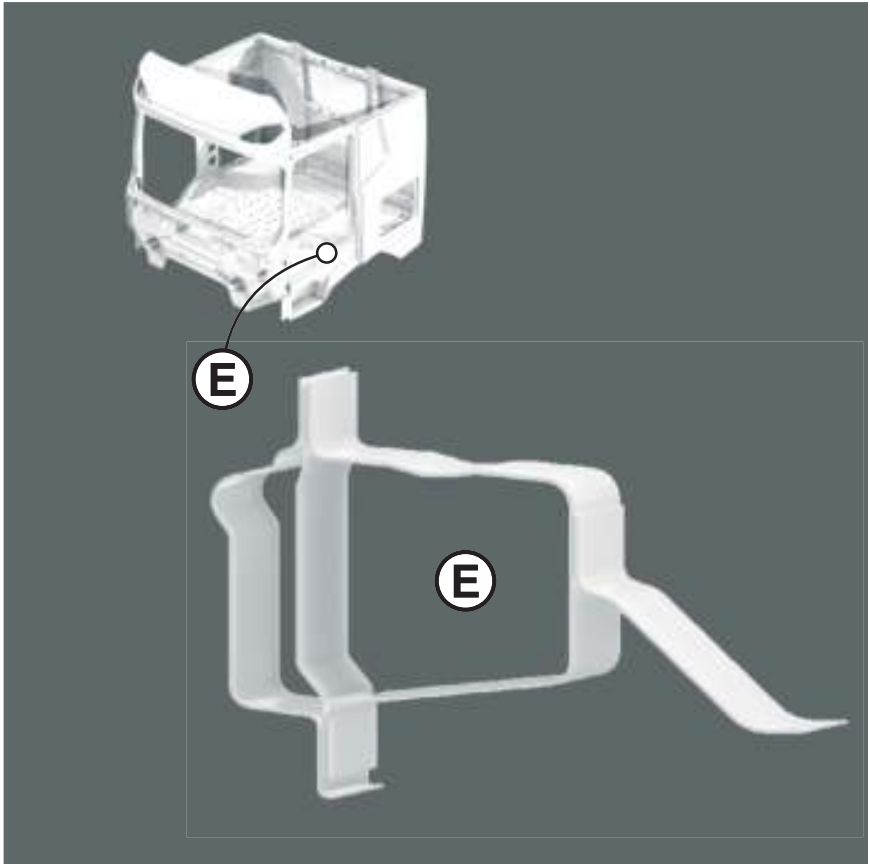
Cabin structure; detail D

5



D005572-2

Cabin structure; detail E

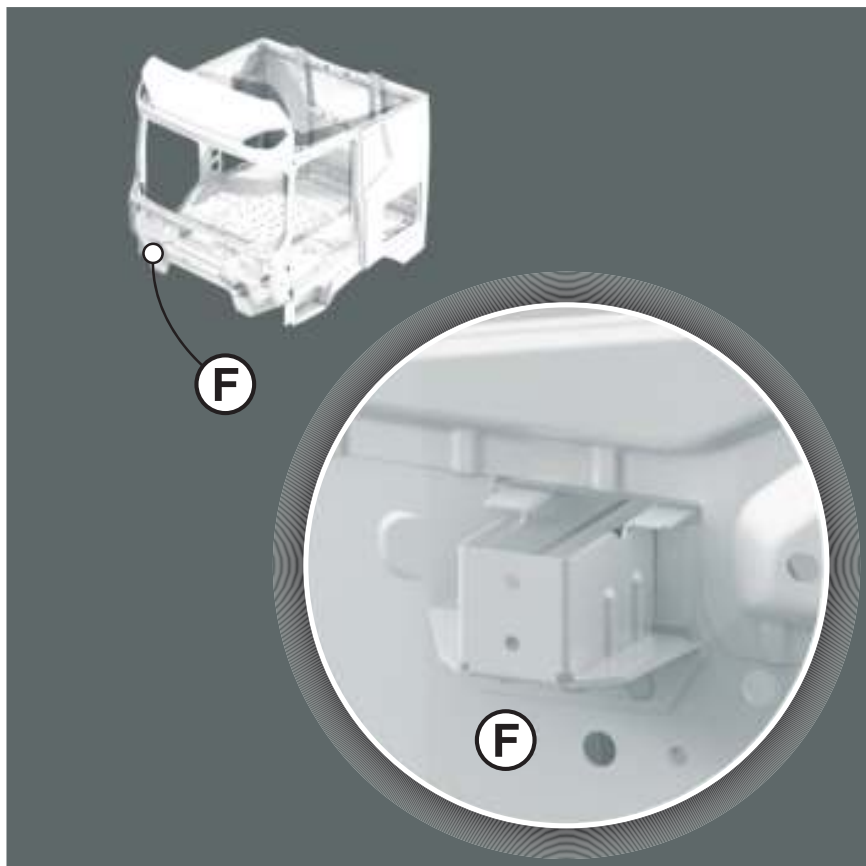


5

D005573-2

Cabin structure; detail F

5



D005574-2

6.1 TOWING INFORMATION

6.1.1 Removing the prop shaft

- Make sure that the park brake is engaged.
- Loosen the prop shaft bolts at the rear axle side, do not remove them.



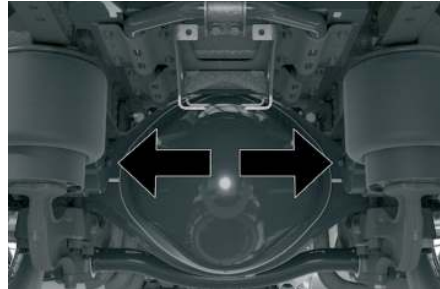
NOTE:

If by accident the prop shaft drops to the floor during towing it is dragged a long. In the other situation dropping of the prop shaft seriously damages both vehicle, road and possibly surroundings.

6

- If the prop shaft has a bearing then:
 - Loosen the bearing from chassis.
 - Hold the shaft while removing the bolts.
 - Fix the bearings to the shaft.
 - Fasten the bearing to the chassis.
 - Cover the prop shaft joint with a plastic bag.

6.1.2 Releasing the parking brake



D005561-3



WARNING!

- ***Never release the park brake on an incline without precautionary measures.***

Releasing the park brake on an incline causes the vehicle to move unintentionally. This can lead to serious injury and damage to the vehicle.

1. Place wheel chocks in front of and behind the wheels.



NOTE:

*It is **not** permitted to use an impact wrench to loosen the releasing bolt.*

2. Turn the releasing bolt anti-clockwise as far as the stop using a ring spanner.

3. Carry out this operation for each spring brake cylinder.
4. Bring the park brake back in operating order by turning the releasing bolts clockwise as far as possible and tightening them to a torque of 70 Nm.

**CAUTION:**

It is advised to provide the vehicle with external air supply via the Tyre inflating connection. See section 'Tyre inflating connection' in the chapter Emergency repairs.

**CAUTION:**

EPB: Use the emergency release with or without external air supply via the Tyre inflating connection. See section 'Tyre inflating connection' in the chapter Emergency repairs.

Do not use the workshop mode during towing.

6.1.3 Tyre inflating connection

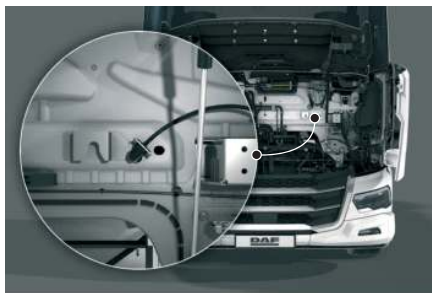
Location

Make sure that the supply pressure on the pressure gauges is not at maximum, but at about 8 to 9 bar.

While inflating the tyres, keep the pressure on this value by having the air compressor running.

See chapter 'Technical data and identification' for the correct tyre pressures.

Refit the rubber cap of the tyre inflating connection after the tyre has been inflated.



D005437-2

**NOTE:**

The tyre inflating connections can also be used as an external inflating connection to fill the air pressure system with air from outside. When doing this, check that the system pressure is correct using the air pressure gauge.

6.1.4 Towing

**WARNING!**

Switch off AEBS while being towed.

Engaging of this system during towing actions can result in unwanted and unexpected vehicle behaviour.

**WARNING!**

- *Do not tow the vehicle when fully loaded or with a trailer attached.*

Towing a fully loaded vehicle or a vehicle with trailer attached can result in unstable vehicle behaviour during critical driving situations. This applies to both the towing and/or towed vehicle. This can lead to very dangerous situations. High forces and tensions in the chassis and driveline of the vehicles can also lead to damage to the vehicles.

Towing another vehicle

It is **not** allowed to tow another vehicle with an XD or XF Electric.

Towing by another vehicle

It is possible to tow the Electric Vehicle.

6

- **Always** disconnect the prop shaft before towing the vehicle when the rear axle (driven wheels) is still in contact with the road surface.
- Always use a towing bar when towing. Deviation from this rule is only allowed in emergencies.
- For long-distance towing: tow the vehicle using a recovery vehicle and take the necessary measures as stated below.
- When towing, error messages may be shown on the Digital Display when the ignition is switched on.



NOTE:

The maximum permissible vehicle speed, weight and distance vary by country.



WARNING!

- ***Towing may not take place at an angle of more than 20° relative to the vehicle centre line.***

The towed vehicle may be located asymmetrically (left or right) behind the tractor. Towing at an angle of more than 20° relative to the vehicle centre line can result in unstable vehicle behaviour. This can lead to very dangerous situations. High forces and tensions in the chassis and driveline of the vehicles can also lead to damage to the vehicles.



WARNING!

When the High-Voltage system is not in operating mode and no additional measures are taken, there is no power steering and eventually insufficient air pressure for the brake system. This results in difficult steering and ultimately leads to automatic engagement of the park brake. This can lead to very dangerous situations.

- ***Release the park brake and adapt the driving style of the towing combination.***

- Turn the ignition key so that the steering wheel is released (unless the vehicle is in a hoist).
- If there is insufficient pressure in the air reservoirs, release the park brake. See section 'Releasing the park brake'.
- To prevent damage to the electric driveline, always **disconnect the prop shaft** from the differential.

**WARNING!**

If the electric motor remains connected during towing, the High-Voltage components can be damaged, and the High-Voltage generated by the electric motor can result in personal injury or death.

- *Always disconnect the prop shaft before towing the vehicle when the rear axle (drive wheels) is still in contact with the road surface.*

6

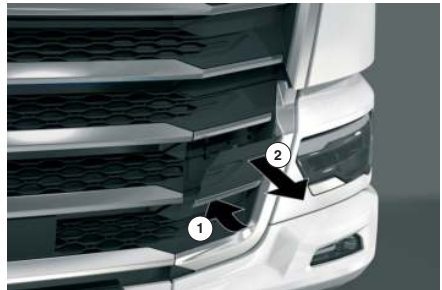
**NOTE:**

If the differential is damaged:

- *Hoist the vehicle at the rear and **lock the steering wheel in the straight-ahead position.***

Installing the towing eye

- 1 Release the locking button.
- 2 Take away the cover.



D005396-2

Remove the front plate cover plate at the left-hand or right-hand side by pulling it forward (A).

- 1 Remove the rubber cover.
- 2 Screw in the towing eye fully so the entire thread is used.
- 3 Then turn the towing eye anti-clockwise (maximum 90 degrees) so the towing bar can be attached to the towing eye.



D005395-2

The maximum **load** the towing eye may pull is **40 tons**.



NOTE:

To lift the vehicle two towing eyes must be used and both pins must be perpendicular to the lifting cable or chain. Turn the towing eyes anti-clockwise (maximum 180 degrees) to achieve this position.

Towing by a recovery vehicle

If the vehicle is being towed by a recovery vehicle, the vehicle can only be hoisted under its rear axle. Lock the steering wheel in the straight-ahead position.

6



WARNING!

If the electric motor remains connected during towing, the High-Voltage components can be damaged and the High-Voltage generated by the electric motor can result in personal injury or death.

- *Always disconnect the prop shaft before towing the vehicle when the rear axle (drive wheels) is still in contact with the road surface.*

Tow starting

It is not possible to tow start an Electric Vehicle.

6.1.5 Jump-starting

Jump-start: Safety and warranty regulations



CAUTION:

Starting the vehicle using a starting aid with too High-Voltage can damage electrical components and can cause the loss of warranty.

- Never jump-start the vehicle with a fast charger.
- Never jump-start the vehicle with a voltage higher than 29 V.



CAUTION:

Jump starting is only permitted with a starting aid equipped with a mechanical main switch.

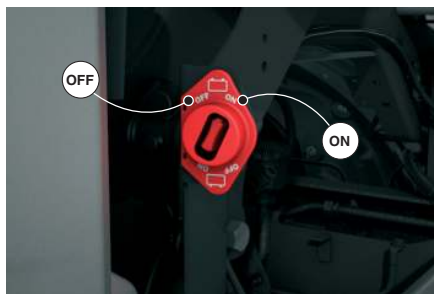
Do not disconnect the battery cables. Prevent at any times peak loads on the 24 V installation.

Disconnecting the battery cables when the driveline is engaged (ignition ON) can damage the electrical components.

Jump-start procedure:

1. Park the vehicle in a safe place.
2. Apply the park brake.
3. Turn the drive mode switch to 'N' (neutral).
4. Remove the ignition key.

5. Exit the cabin.
6. If applicable: use the main switch (Figure 1) to switch OFF the 24 V circuit of the vehicle.
7. Place the necessary and/or mandatory warnings and wait at a safe distance from the vehicle.
8. Make sure that the main switch of the starting aid is open.
9. Connect the jump-start battery clamps in the correct sequence to the 24 V vehicle batteries.
10. Close the main switch of the starting aid.
11. Close the main switch of the vehicle batteries (Figure 1).
12. Follow now the instructions to engage the driveline of the Electric Vehicle.



i452247

Figure 1: Main switch 24 V vehicle batteries (if applicable)

See the section 'Start-up phase' in the chapter 'Starting and driving'.

If there are problems with this procedure: consult the DAF Service dealer.

7.1 LIFTING INFORMATION

7.1.1 Lifting at the front

The front of the truck can be lifted with two towing eyes. To lift the front of the truck:

1. Install two towing eyes with the axle in horizontal position.
2. Attach the lifting equipment to the towing eyes.
3. Carefully lift the truck.



CAUTION:

The maximum lifting weight for the towing eyes is 3000 kg per towing eye.

7



NOTE:

The two towing eyes can also be used to fix the front of the truck to a platform.

7.1.2 Jack up at the front

Jacking up the air sprung front axle

Place the jack under the special jack up brackets that are attached to the air sprung front axle.

Jacking up mechanically sprung front axles

Place the jack under the axle.



CAUTION:

Do not jack up under the protection bar at the front of the vehicle. This is a protection bar made of sheet metal. If you jack up the vehicle under the protection bar it collapses.

7.1.3 Lifting at the back

There are no special facilities to lift the truck at the back.

7.1.4 Jack up at the back

There are no special facilities to jack up the truck at the back. Place the jack under the rear axle.